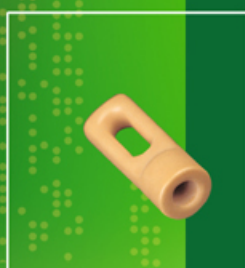
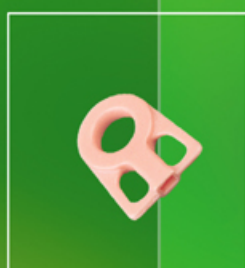
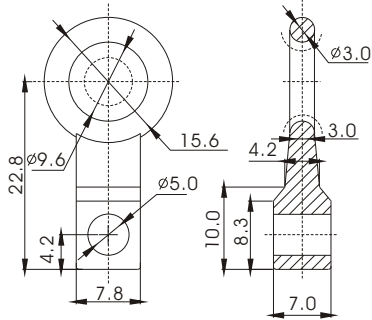


圈状导丝器

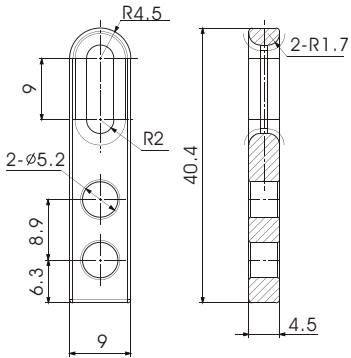
RING GUIDE



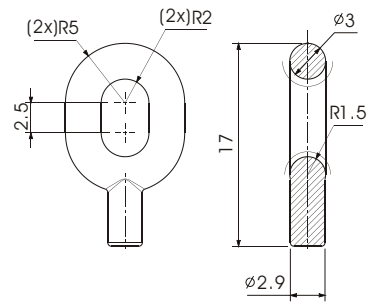
TCR001A1RDNP



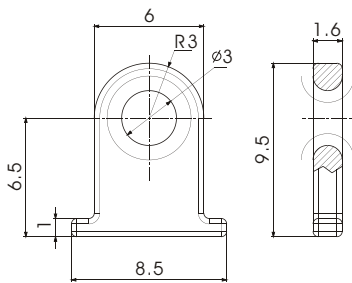
TCR002A1RDNP



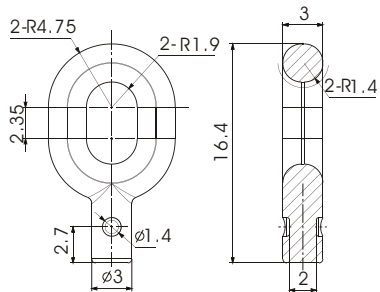
TCR003A1RDNP



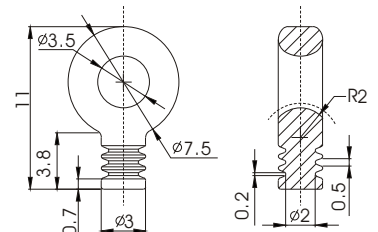
TCR004T1YWNP



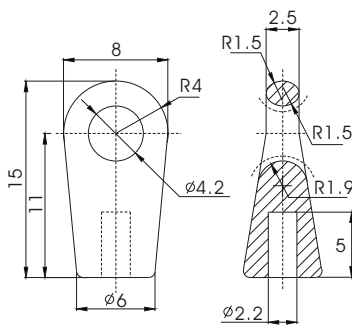
TCR005A3LPRP



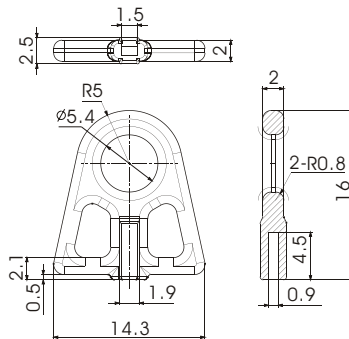
TCR006A1GPNP



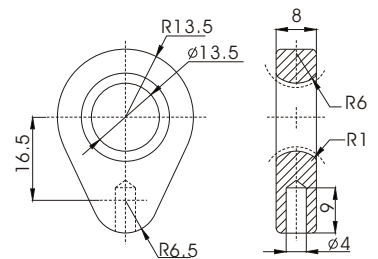
TCR007A1RDNP



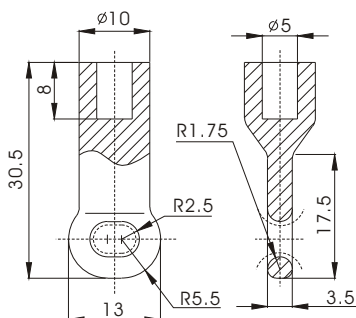
TCR008A3WTRP



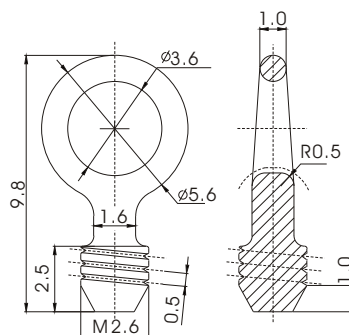
TCR009A1PKNP



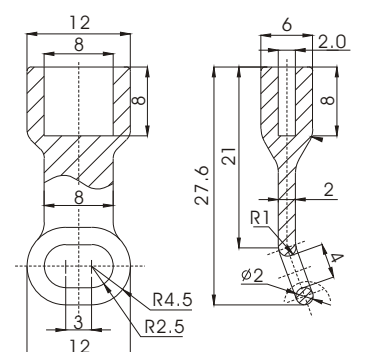
TCR010T1BKNP



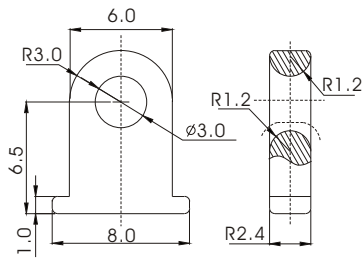
TCR011A1GPNP



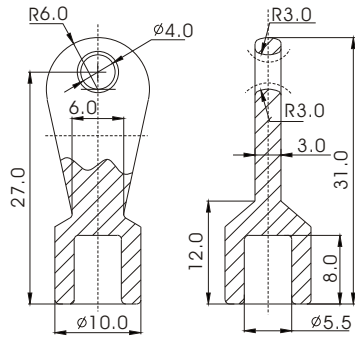
TCR012T1BKNP



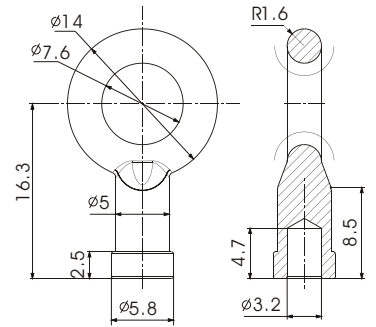
TCR013A1RDNP



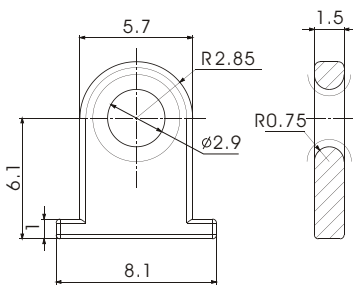
TCR014A1PKNP



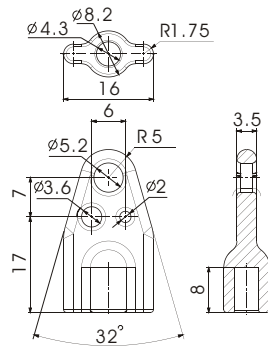
TCR015A1PKNP



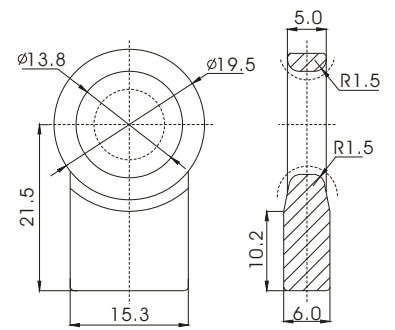
TCR016T1YWNP



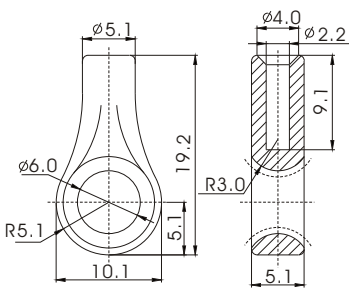
TCR017A1RDNP



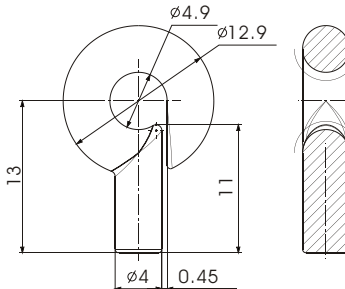
TCR018A1RDNP



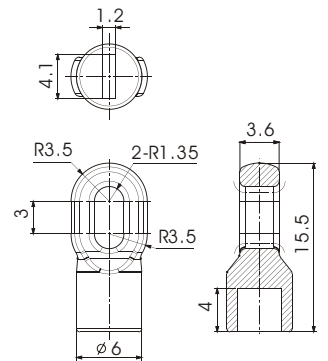
TCR019A1RDNP



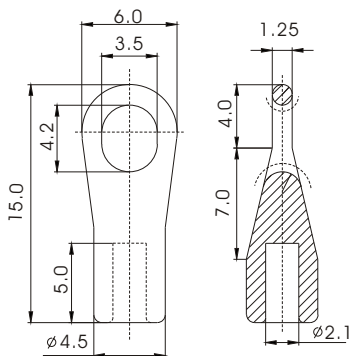
TCR020A3LPLF



TCR021A1RDNP



TCR022A1RDNP



TCR023A1RDNP

