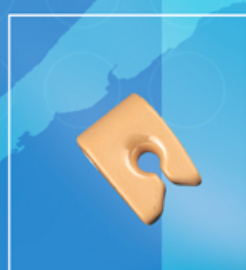
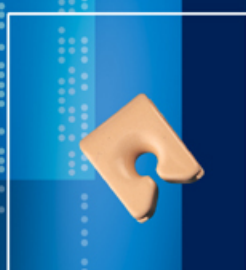
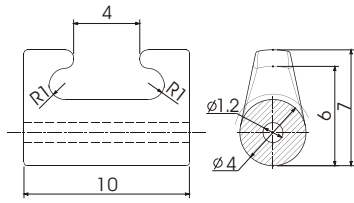


锁状导丝器

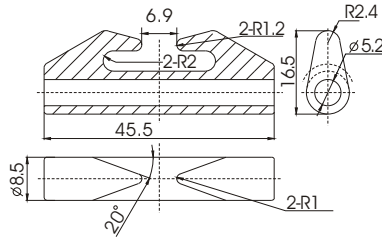
LOCK GUIDE



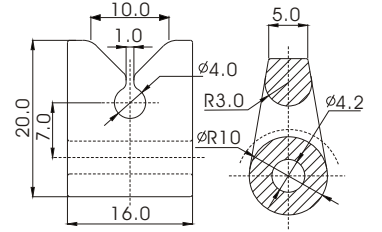
TCM001A1PKNP



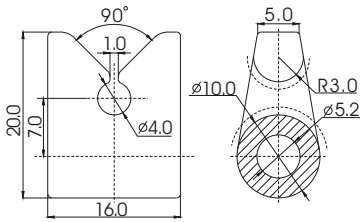
TCM002A1RDNP



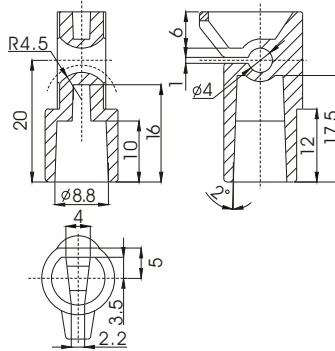
TCM003A1LPLF



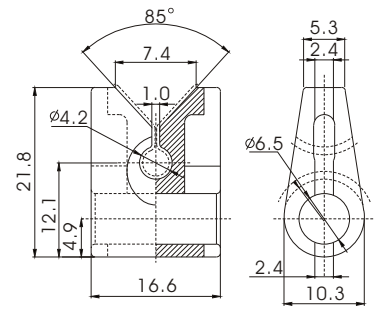
TCM004A1WTNP



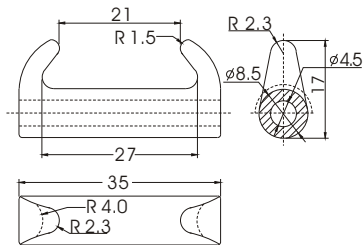
TCM005A3LPDP



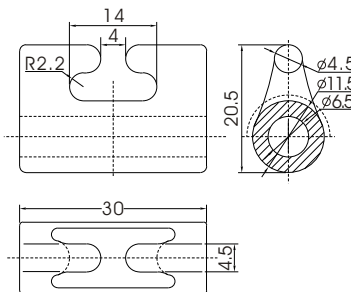
TCM006A3WTDP



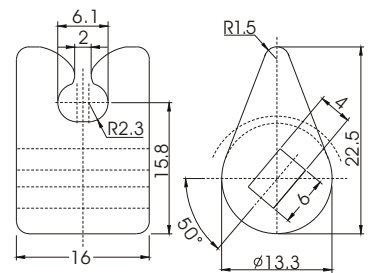
TCM007A1WTNP



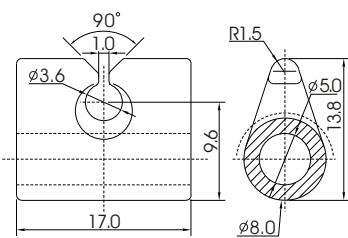
TCM008A1WTNP



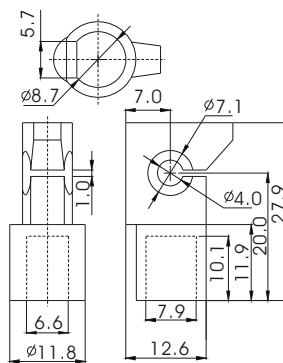
TCM009A1WTNP



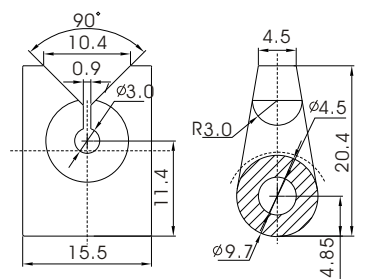
TCM010A1PKNP



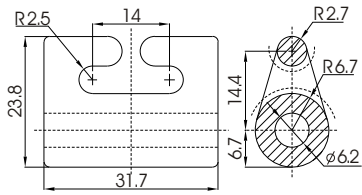
TCM011A3LPDP



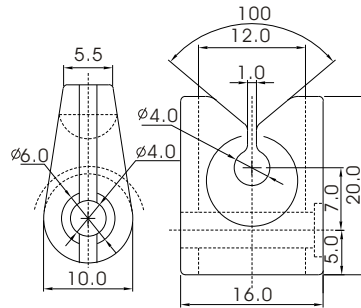
TCM012A3WTDP



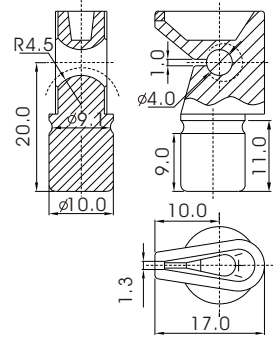
TCM013A1PKNP



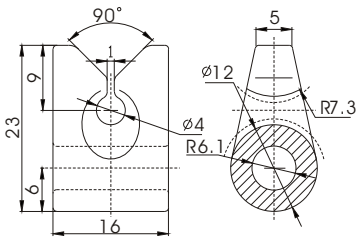
TCM014A1PKNP



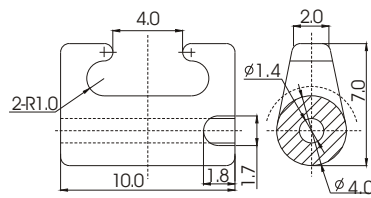
TCM015A3LPDP



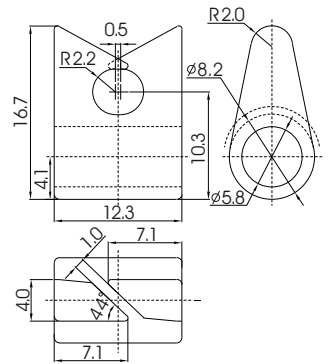
TCM016T1YWDP



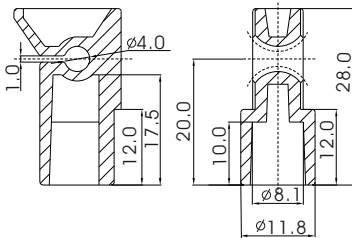
TCM017A3LPNP



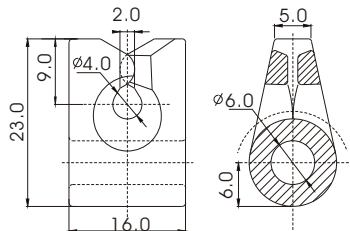
TCM018A1PKNP



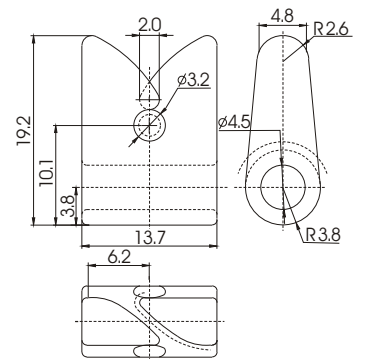
TCM019A3LPDP



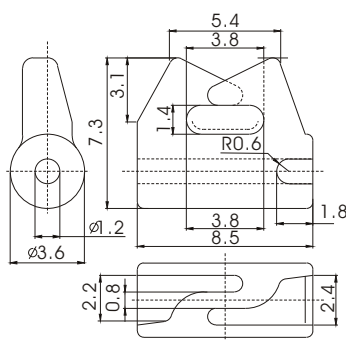
TCM020T1YWDP



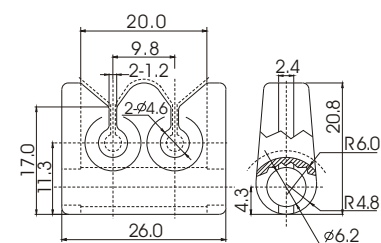
TCM021A1RDNP



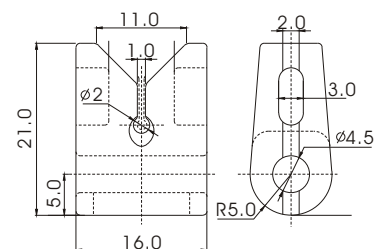
TCM022A3LPDP



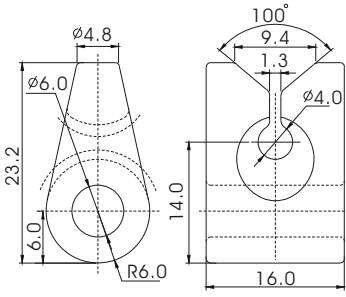
TCM023A1RDNP



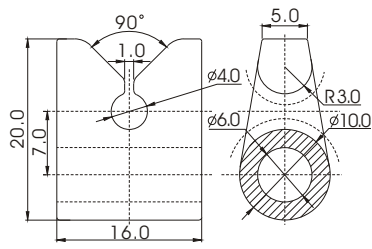
TCM024A3LPDP



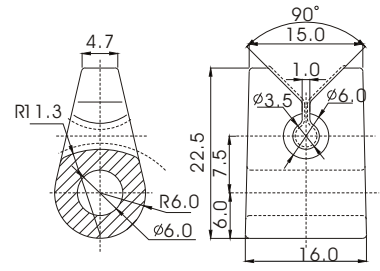
TCM025A3WTD



TCM026A1WTNP



TCM027A3WTRP



TCM028A3WTRP

